

JAD™

AUTOMATIC DOORS





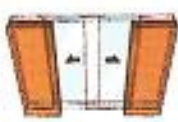


TM

# The new standard in high quality automatic door operation

**Now Available Throughout Japan, Australia, New Zealand, United Kingdom, Indonesia, Malaysia, Hong Kong, Korea, China, Thailand, Taiwan, Pakistan, United Arab Emirates, Ireland, South Africa, Italy, Macao, Israel, Turkey, Brunei, India, Iran, Philippines**

JAD™ Automatic Door Operators are manufactured by JAD Automation Tokyo Japan, who have specialised in manufacturing only 'state-of-the-art' Automatic Door operator technology since 1966. Fully trained technical staff design, manufacture and test our operators under the strictest quality standards, to provide the optimum in an extensive, cost effective and efficient product range. JAD™ products are established internationally as an industry market leader.



SLIDING DOOR



BREAKOUT DOOR



CURVED DOOR



TELESCOPIC DOOR



SWING DOOR



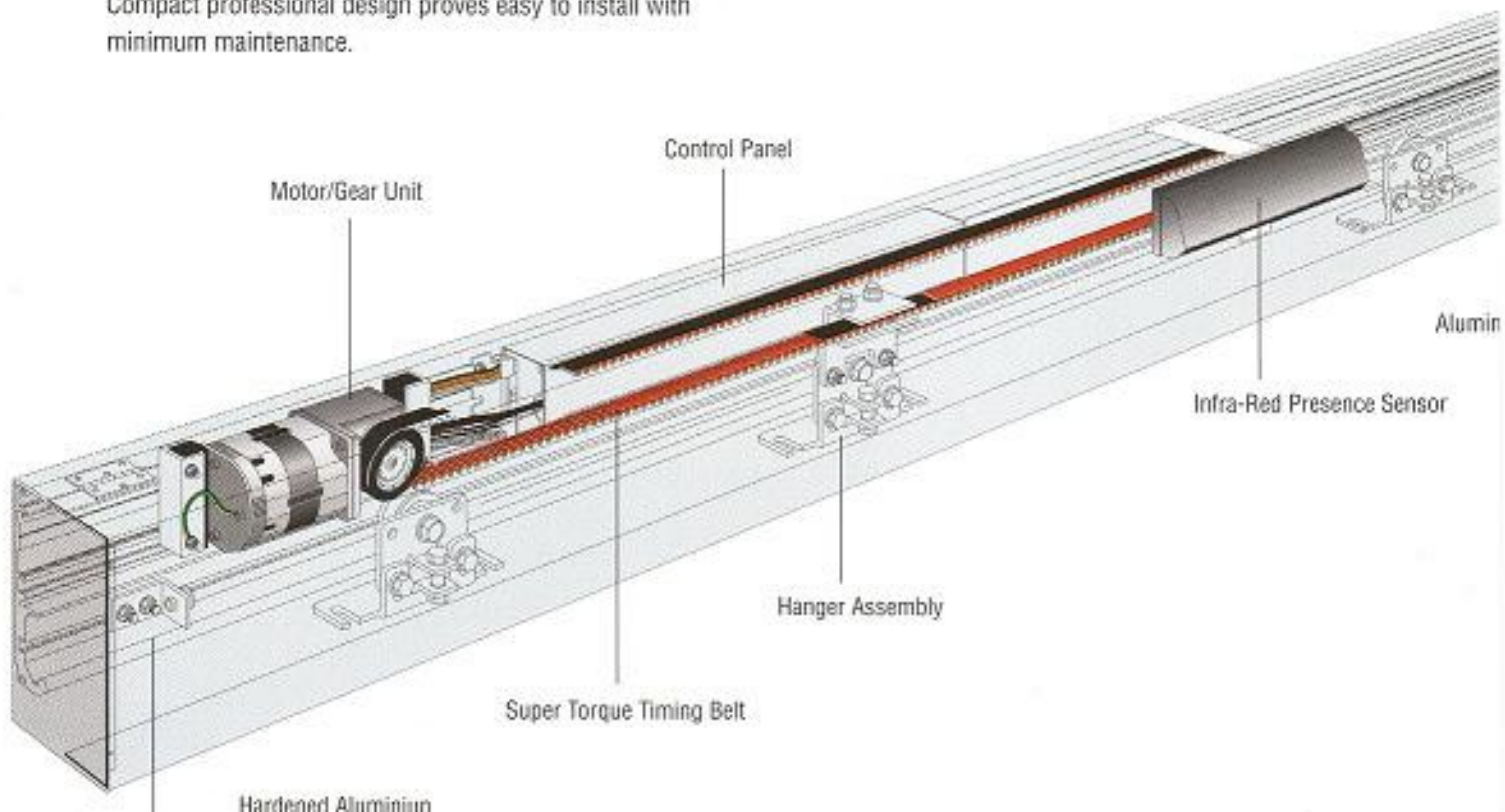
BI-FOLDING DOOR

### ENERGY SAVING

Effective reduction of heating and cooling with fully adjustable operational cycles.

### INSTALLATION & MAINTENANCE

Compact professional design proves easy to install with minimum maintenance.





### **AUTOMATIC DOOR OPERATOR SPECIFICATIONS**

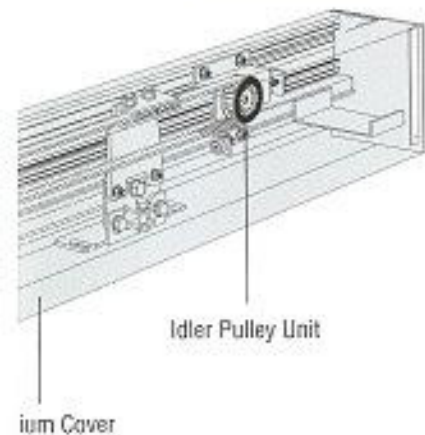
Variable opening speed 100MM to 400MM/Sec (Single Door)  
 Variable closing speed 100MM to 440MM/Sec (Single Door)  
 Variable opening speed 200MM to 880MM/Sec (BI-Parting Doors)  
 Variable closing speed 200MM to 880MM/Sec (BI-Parting Doors)  
 Variable speed with 16 steps  
 Motor input 60W Ac Motor  
 Door stroke 300MM to 5050MM  
 Manual Open Force 3Kg or less (70Kg) 5kg or less (70 x 2)  
 Automatic Safety reverse function  
 Japanese industrial standard (JIS) aluminium Rail  
 Adjustable hangers  
 Super Torque Timing Belt  
 Automatic resetting after power failure  
 Door width upto 3000mm BI-Parting  
 Single or BI-Parting door operators  
 Complete with cover. Colors for the aluminium cover are available according to requirement.

### **OPTIONS**

Infra Red Optex Sensor  
 Safety Beam  
 Touch Switch  
 Foot Switch  
 Push button switch  
 Electro magnetic lock

### **ACCESS CONTROL SYSTEMS**

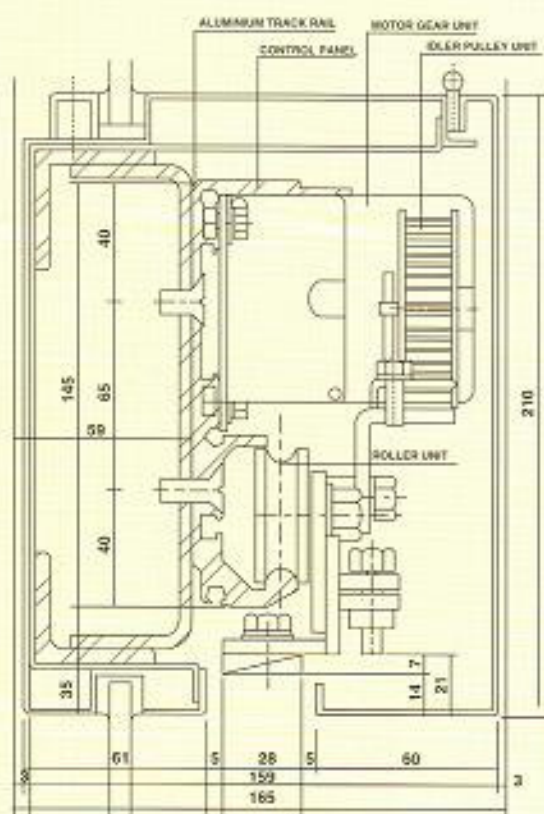
- 1) Remote Control
- 2) Key Card
- 3) Key Pad



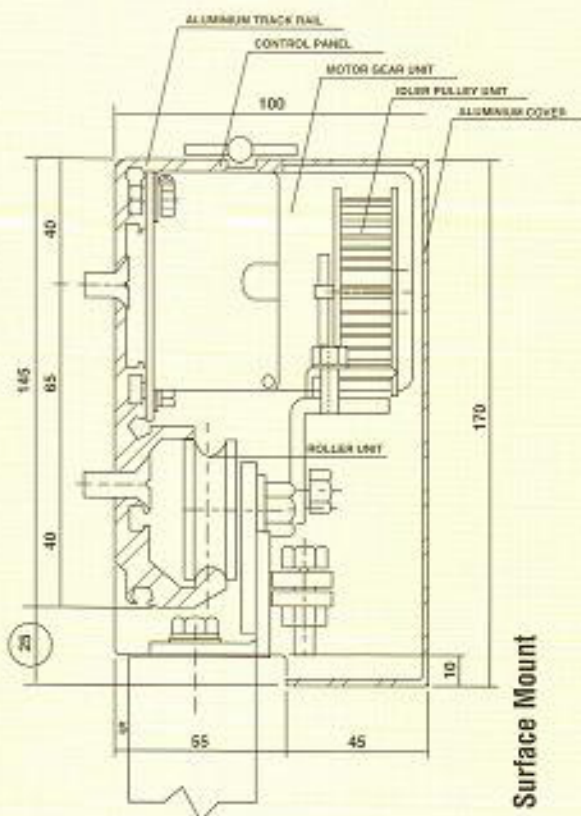


## TECHNICAL DATA

Model	T6 EXR
Type	Single or Bi-Parting
Opening / Closing Speed	Adjustable
Power Supply	90V-120V AC
Motor	AC Motor
Manual Opening Force	5Kg or less
Control Unit	Built in <b>Microprocessor</b>
Length	To site requirements
Belt Drive	Super Torque
Sensors	To site requirement
Door Weight	1 x 150Kg, 2 x 110Kg
Repercussion	Built-in door shock Absorbing software



Overhead Concealed



Surface Mount

A full warranty is available. Please contact your local agent for details.  
A service contract for product longevity is recommended.

Authorised Agent

**JAD<sup>TM</sup> AUTOMATION**  
JAPAN AUTOMATIC DOOR CO., LTD.

Head Office: 16-5, Kamisaginomiya 3-Chome Nakano-ku, Tokyo 165-0031 Japan.  
Telephone: 813-3998-3620 Fax: 813-3970-2525  
<http://www.jad.co.jp>



FOR YUM FACTORY